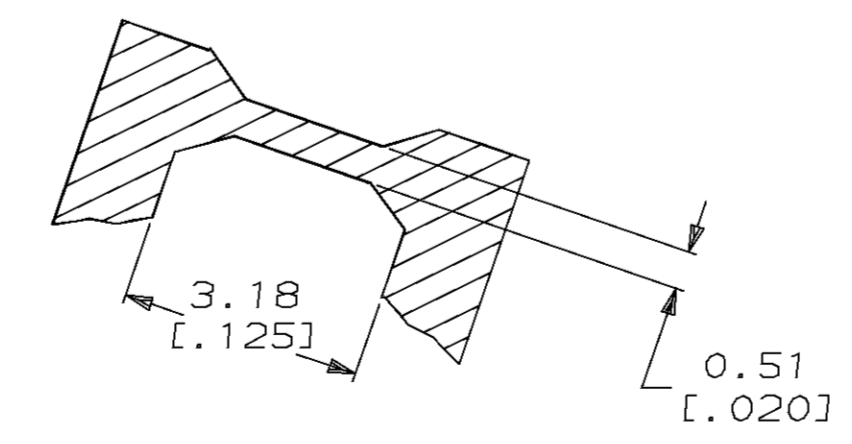
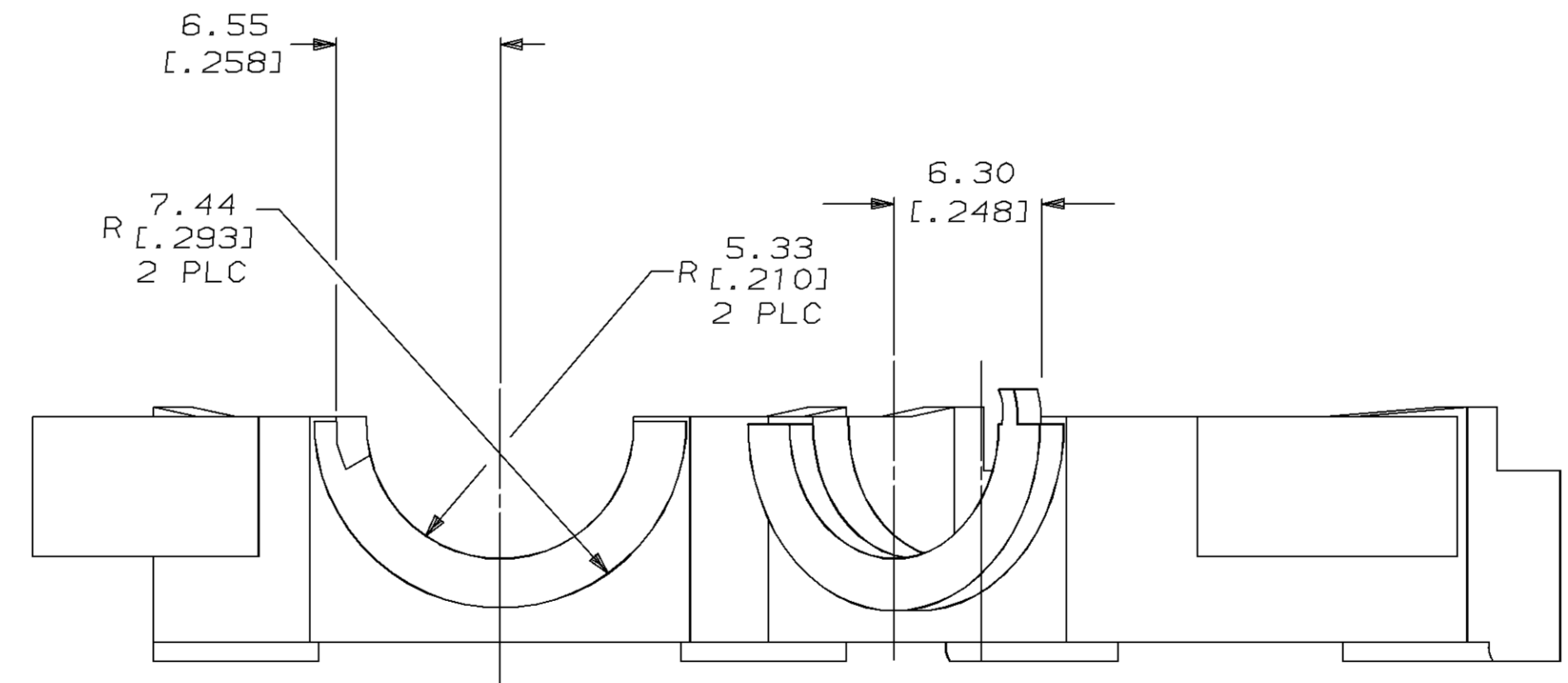
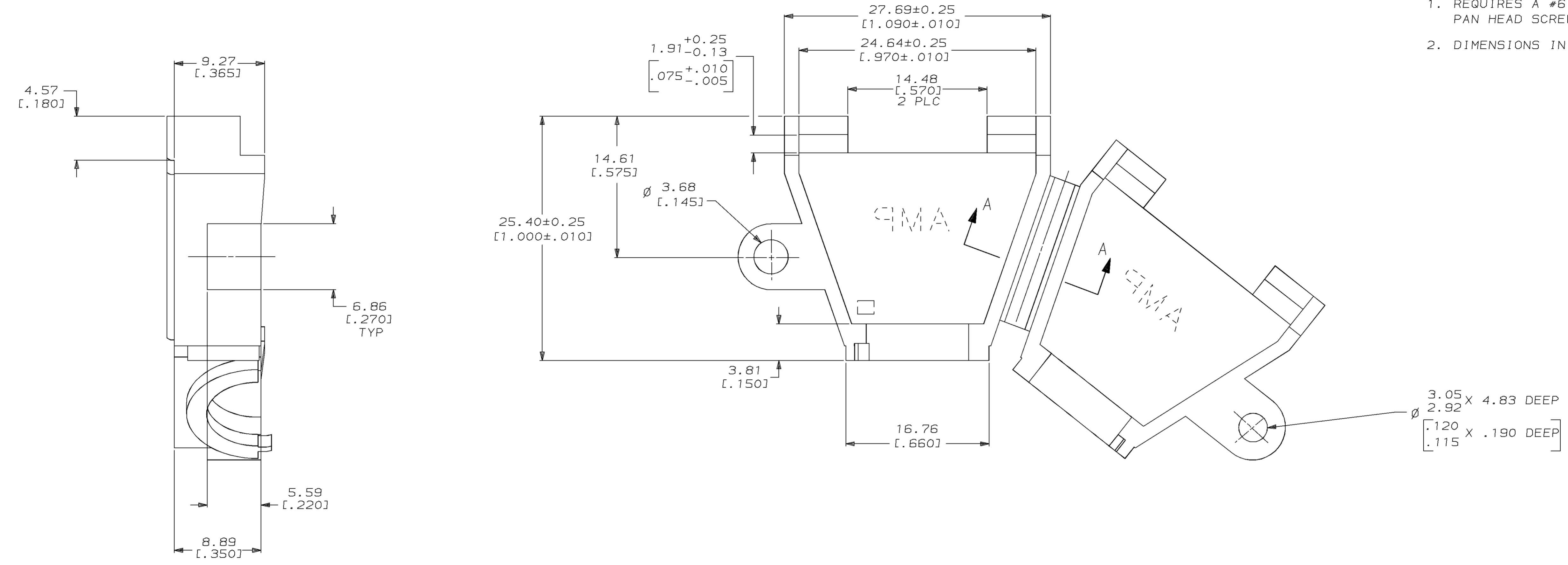
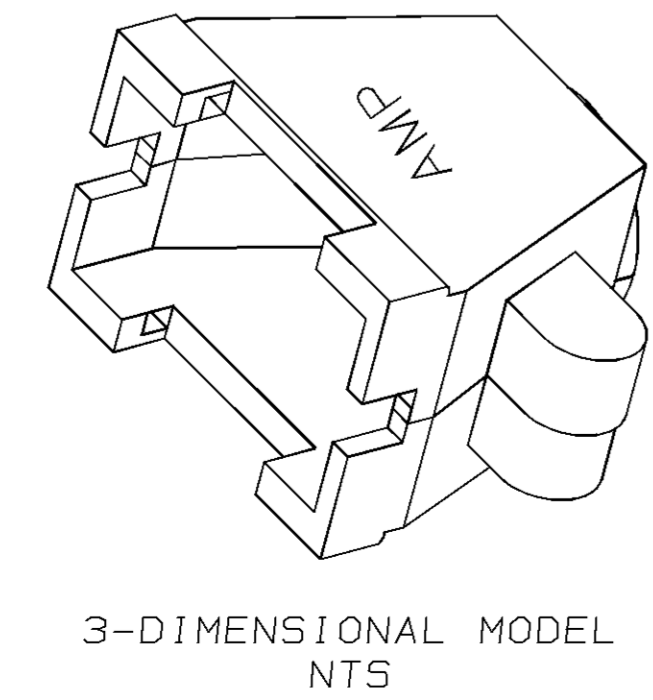


LOC		DIST		ZONE		LTR		REVISIONS			
CM	52	P	F					DESCRIPTION	DATE	APPD	
								J	REV & REDWN PER EC 0730-0072-94	8-26-93	K5 RS

1. REQUIRES A #6 PAN HEAD TYPE "B" SELF TAPPING PAN HEAD SCREW, 9.53 [.375] LONG.
2. DIMENSIONS IN BRACKETS ARE IN INCHES.



SECTION A-A
SCALE 10:1



BLACK	1-359523-9
BRICK RED	350523-1
COLOR	PART NO



THIS DRAWING IS A CONTROLLED DOCUMENT FOR AMP INCORPORATED. IT IS SUBJECT TO CHANGE AND THE CONTROLLING ENGINEERING ORGANIZATION SHOULD BE CONTACTED FOR THE LATEST REVISION.

DO NOT SCALE PRINT. UNLESS SPECIFIED DIMENSIONS IN mm [INCHES] TOLERANCES ON : 2 PLC DEC ± 0.13(.005) 3 PLC DEC ± - ANGLES ± -	DR 8-26-93 K. SALMON	AMP Incorporated Harrisburg, PA 17105-3608
MATERIAL NYLON	CHK 8-26-93 R. SWING	
FINISH COLOR, SEE TABLE	APPD - W. LONG	NAME STRAIN RELIEF, HINGED, 15 POSITION
	APPD - W. LONG	SIZE D 00779
	PRODUCT SPEC -	CAGE CODE C-350523
	APPLICATION SPEC -	DRAWING NO C-350523
	WEIGHT -	SCALE 4:1
		SHEET 1 OF 1

CUSTOMER DRAWING